



Model 64078 Vent

Eaton's Carter product line includes Auxiliary Vent Models 64078 and 64159, designed to act as auxiliary vents only, for venting vapor during bottom loading and for allowing in-flow of air during refueling.

If an air-operated vent is desired, order Model 64078. If a vent that is connected directly to the internal valve is desired, order Model 64159.

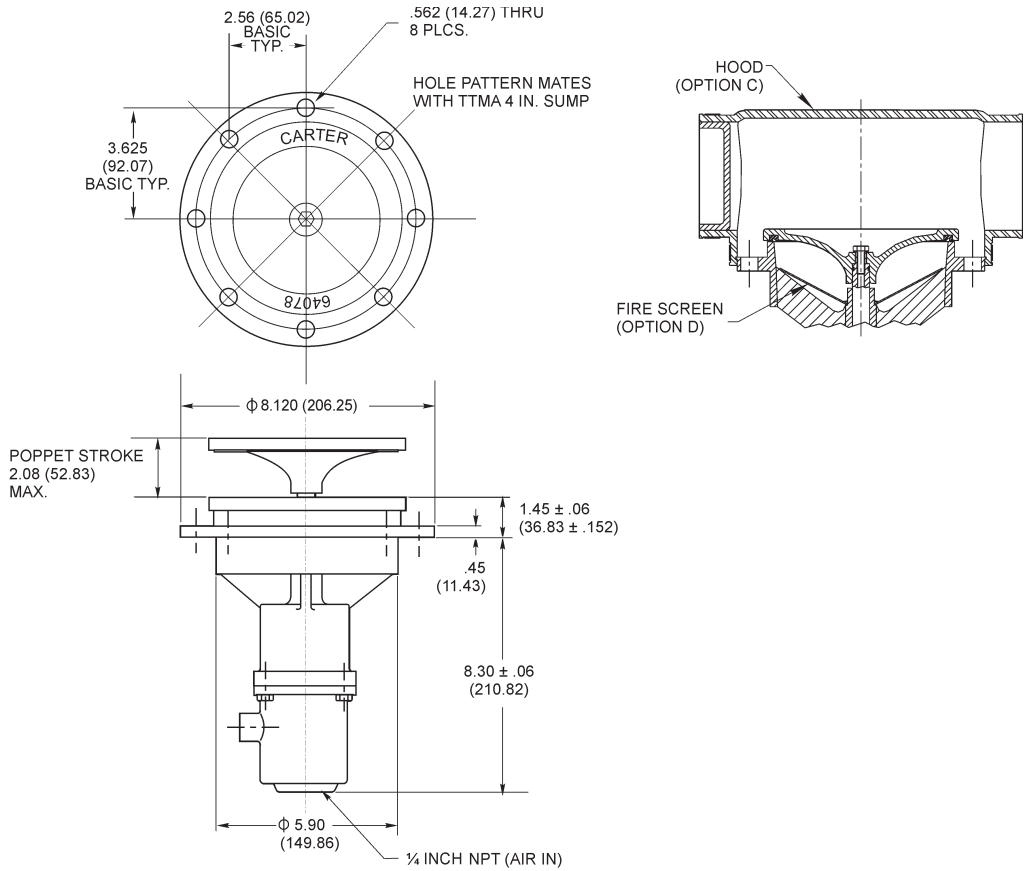
#### Features

- Bonded poppet seal assures leak-free operation and minimal maintenance cost
- Maximum vent flow, without air pressure being applied, will occur at 5 psi (.345 bar)
- Cracking pressure, no air pressure applied — 3 psi (.297 bar)
- Model 64078 — Double seal actuating piston vented externally to prevent fuel incursion into air system
- Model 64078 — Interlock port capability with internal valve is standard
- Temperature range:
  - Standard seals:  
-40°F to 140°F (-40°C to 60°C)
  - Viton seals:  
0°F to 140°F (-17.77°C to 60°C)
- Interchangeable with Whittaker equivalent units — Eaton's Carter Model 64078 vent is completely interchangeable with either Whittaker Model F646 or the F646B (interlock port in the Eaton vent is standard at no extra cost). Model 64159 is interchangeable with the Whittaker Model F646A.

### Model 64078

Dimensions shown in inches (millimeters)

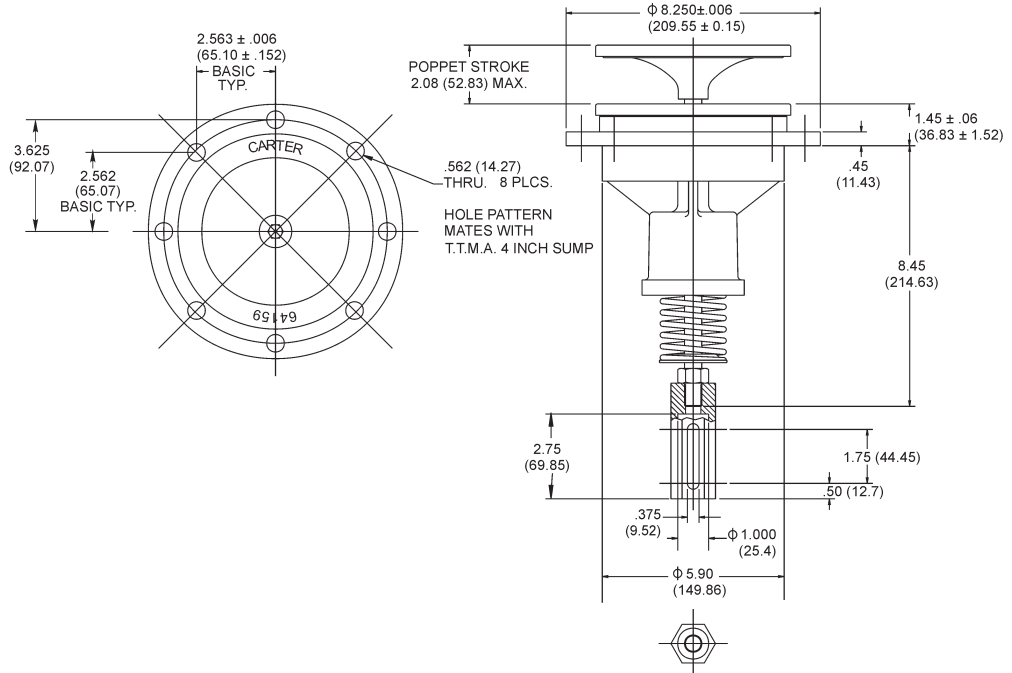
Option	Description
C	Adds vapor hood assembly with one plug
D	Adds fire screen
E	Changes all seals from nitrile to Viton



### Model 64159

Dimensions shown in inches (millimeters)

There are no options available on Model 64159 at this time.



Eaton  
 Aerospace Group  
 Fluid & Electrical Distribution Division  
 9650 Jeronimo Road  
 Irvine, California 92618  
 Phone: (949) 452-9500  
 Fax: (949) 452-9992  
 E-mail: groundfueling@eaton.com  
 www.eaton.com/aerospace

Copyright © 2013 Eaton  
 All Rights Reserved  
 Form No. DS100-109D  
 May 2013